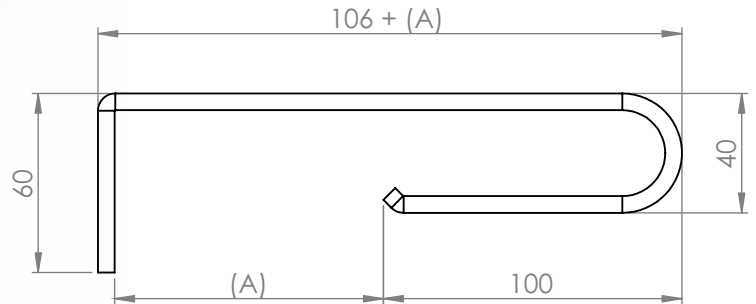


Clip Lock Hollow Section Column Tie.



DESCRIPTION

Clip lock SHS / RHS column tie. Single leaf wall to vertical SHS / RHS columns

FEATURES

- Clay brick / block work
- Max cavity 50mm
- Universal applications
- Australian design & tested AS/NZS 2699.2:2020

SIZES

Standard Sizes : 90mm, 100mm and 150mm (Tube size)

CORROSION CHARACTERISTICS

Galvanised Z600 - Heavy galv wire (R2)
 Stainless steel 316L (R4)
 Conforms to corrosion resistance set by AS/NZS 2699.2:2020 / AS 3700.



ORDERING INFORMATION

When ordering please supply use with the part number and quantity you require

CGT5-TCT-100-R4

PRODUCT CODE

LENGTH

A
 90
 100
 150

MATERIAL

Specify
R2 for Galvanised Z600
R4 for Stainless steel 316L **SPECIAL ORDER**